

TABLE 01: PIN CONFIGURATION

PIN NO	CONNECTION	COLOR
A	EXCITATION +	RED
B	SIGNAL+	GREEN
C	SIGNAL-	BLACK
D	EXCITATION-	WHITE
E	N/C	-
F	N/C	-

SPECIFICATIONS		
MODEL	LGP	
CAPACITY	SEE TABLE 02	
FULL SCALE OUTPUT (FS)	mV/V	3.0 ± 0.1%
ZERO BALANCE	%FS	≤ ± 5
NON-LINEARITY	%FS	≤ ± 0.1
HYSTERESIS	%FS	≤ ± 0.08
NONREPEATABILITY	%FS	≤ ± 0.03
CREEP @ 30 MIN	%FS	≤ ± 0.02
TEMPERATURE EFFECT		
OUTPUT	%FS/10 °C	≤ ± 0.04
ZERO	%FS/10 °C	≤ ± 0.04
TEMPERATURE RANGE		
COMPENSATED	°C	-10 ~ +40
OPERATING	°C	-20 ~ +65
TERMINAL RESISTANCE		
INPUT	Ω	386 ± 30
OUTPUT	Ω	350 ± 5
EXCITATION VOLTAGE	VDC	5-15
INSULATION RESISTANCE @ 50VDC	MΩ	≥ 5000
SAFE OVERLOAD LIMIT	%FS	150
ULTIMATE LOAD	%FS	200
SEAL TYPE	IP67	

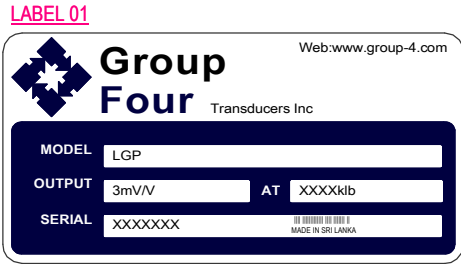
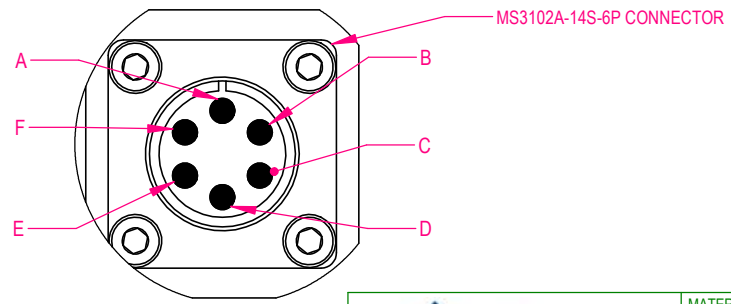


TABLE 02

CAPACITY (klb)	G4 P/N	OD	G	T	F	K
10	5061-003-02	5.45[138.5]	4.500[114.30]	1-14UNS	8	0.40[10.2]
20	5061-005-02	5.85[148.5]	4.875[123.83]	1 1/2-12 UN	8	0.53[13.5]
30	5061-008-02					
50	5061-007-02					

PIN CONFIGURATION



DETAIL A SCALE 1 : 1

- NOTES:
 1) SHOWN LOADING DIRECTION IS FOR POSITIVE OUTPUT
 2) THE MATING CABLE CONNECTOR IS MS3106E-14S-6S(NOT INCLUDED)
 3) MATING CABLE PART NUMBER IS "214609-LGP MATING CABLE"

NOT RELEASED

REV.	ZONE	ECO#	DESCRIPTION	BY	CHK'D	APP'D	DATE
4	-	-	50klb CAPACITY ADDED	TRD	GPS	YRA	02/13/24
3	-	-	G4 CABLE P/N ADDED TO NOTE 3	TRD	GPS	YRA	01/29/24
2	-	-	MATING CONNECTOR CHANGED, NOTE 3 ADDED	TRD	GPS	YRA	01/26/24
1	-	-	DRAWING NAME CHANGED, P/N ADDED	TRD	GPS	YRA	01/22/24
0	-	-	PRELIMINARY DRAWING	TRD	GPS	YRA	01/12/24

RECORD OF CHANGES

	MATERIAL SPEC.	G-4 CODE
	xxx	xxx
	FINISH DESCRIPTION	FINISH CODE
	xxx	xxx
	DIMENSION TOLERANCES UNLESS SPECIFIED	
	DECIMALS .XX ±0.02 .XXX ±0.005 ANGULAR ±1/8"	
	SCALE NOT TO SCALE	
	PROJ. NO./SPEC. NO. PRJ-000893	

THIS PRINT IS FURNISHED WITH THE UNDERSTANDING THAT THE ESSENCE THEREOF WILL NOT BE REPRODUCED IN WHOLE OR IN PART WITHOUT WRITTEN AUTHORIZATION OF GROUP FOUR TRANSDUCERS INC. ALL DESIGNS ARE THE PROPERTY OF GROUP FOUR TRANSDUCERS INC. AND WILL BE PROTECTED BY PATENTS.

NAME: LGP-(10-50)klb-Control-Drawing
 DRN: TRD ENG: TRD
 CHK'D: GPS APP'D: YRA
 DWG NO.: 214527