

PTT 260 - DIGITAL PRESSURE SENSOR

The PTT 260 Digital Pressure Sensor is a rugged instrument for measuring fluid or gas pressure up to 7,500 psig. This versatile device can be used as a pressure gauge, transducer or pressure switch. It's invaluable for applications such as measuring fluid pressure in presses or stamping machines, water pressure system control devices, refrigerant or ammonia based cooling systems, and lubrication systems. It can handle any fluid or gas that is compatible with 316SS and 17-4 pH SS specifications (sensor housing and diaphragm materials). The PTT 260 is available in your choice of ten different pressure ranges from 0 – 7,500 psig, with overpressure and burst pressure ratings from 2.5X to 10X of scale, depending on the test range. Fluid or gas input is by means of a 1/4" male NPT connector (available on back or bottom of sensor). A four-digit LED display makes viewing pressure measurements easy. The unit can also have built-in switch outputs, or can be ordered with analog outputs. Unit can be ordered with pressure input on back or bottom.

- **VERSATILE PRESSURE SENSOR FOR BOTH FLUID AND GAS**
- **FUNCTIONS AS A PRESSURE GAUGE, SWITCH OR TRANSDUCER**
- **WIDE RANGE OF PRESSURE MEASUREMENTS, UP TO 7,500 PSIG**
- **HIGH OVERPRESSURE PROTECTION**
- **INERT STAINLESS STEEL COMPONENTS IN CONTACT WITH SAMPLE**
- **RUGGED ALUMINUM OUTER CASE**
- **LARGE, EASY TO READ DISPLAY WITH 360° VISIBILITY**
- **PROGRAMMABLE SWITCH OUTPUT TO CONTROL OTHER DEVICES**

SPECIFICATIONS

PRESSURE RANGES:	0 psig to 7,500 psig; ten ranges
ACCURACY:	± 1.0 % of full scale
MATERIAL:	Stainless steel and aluminum
TEMPERATURE RANGE:	-4° to 158° F (-20° to 70° C)
SAFE OVERPRESSURE:	2.5-10X full scale, depending on range
PRESSURE PORT:	1/4" NPT (male)
CABLE:	3-foot cable with 4-pin M12 connector (optional)
POWER SUPPLY:	11-36 VDC (analog output option) 16-36 VDC (switch output version only)
INCLUDED:	Pressure sensor and calibration report



ORDERING INFORMATION

Complete your model number by choosing the features below.

Connection/Location:

MO2L- 1/4" male NPT; lower connection
MO2B- 1/4" male NPT; back connection

Output:

A- 1X switch and 4 – 20 mA output
B- 2X switch (no analog output)

Electrical Connection:

M12- 3-foot 4-pin M12 cable (optional)

Options:

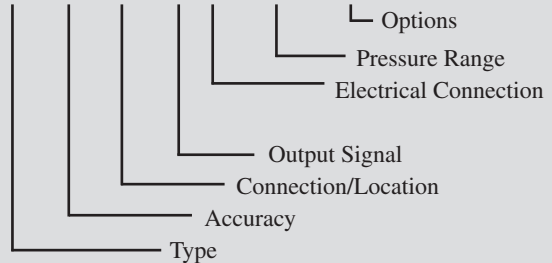
NIST- NIST Calibration

Pressure Range:

0050 - 0-50 psig
0100 - 0-100 psig
0150 - 0-150 psig
0300 - 0-300 psig
0500 - 0-500 psig
1000 - 0-1,000 psig
1500 - 0-1,500 psig
3000 - 0-3,000 psig
5000 - 0-5,000 psig
7500 - 0-7,500 psig

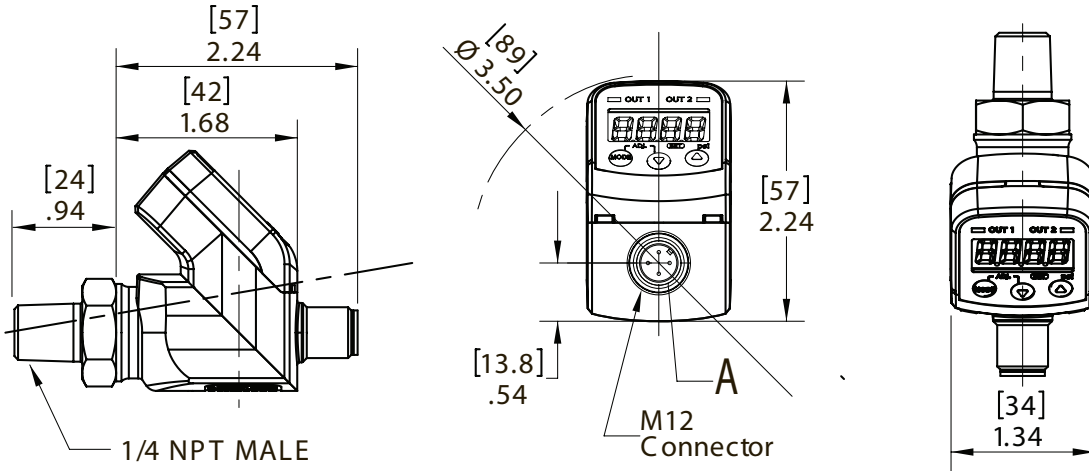
Order Code Example:

PTT 260 -7-XXXX-X-XX-XXXX-XXXX



PTT 260 - DIGITAL PRESSURE SENSOR

Dimensions - Back Connect



Dimensions - Lower Connect

