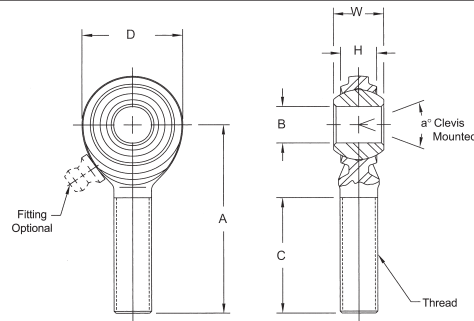


# ROD ENDS - EXTERNALLY THREADED

PART Number	B"	W"	H"	A"	D"	Ball"	C"	Thread	a°	Ultimate Radial Static Load Capacity Lbs.	Approx. Brg. Wt. Lbs.
	+0.0025 -0.0005	+0.005 -0.005	Ref.	+0.015 -0.015	Ref.	Dia. Ref.	+0.062 -0.031	UNF-3A	Misalign. Angle		
XAA 880	.2500	.375	.250	1.562	.750	.500	1.000	1/4-28	27	2,212	.04
XAA 881	.3750	.500	.359	1.938	1.000	.719	1.250	3/8-24	22	5,068	.11
XAA 882	.5000	.625	.453	2.438	1.312	.937	1.500	1/2-20	20	8,338	.24
XAA 883	.6250	.750	.484	2.625	1.500	1.125	1.625	5/8-18	26	9,713	.36
XAA 884	.7500	.875	.593	2.875	1.750	1.312	1.750	3/4-16	24	14,207	.57
XAA 885	1.0000	1.375	1.000	4.125	2.750	1.875	2.125	1-14 <sup>1</sup>	17	43,541	2.127
XAA 886	1.0000	1.375	1.000	4.125	2.750	1.875	2.125	1-12	17	43,541	2.127
XAA 887	1.0000	1.375	1.000	4.125	2.750	1.875	2.125	1 1/4-12	17	43,541	2.406
XAA 888	1.5000	1.312	1.125	5.375	3.500	2.155	3.000	1 1/2-12	6.5	64,770	4.75
XAA 889	2.0000	1.750	1.500	8.000	5.000	2.875	4.500	2-12 <sup>2</sup>	6.0	153,528	14.25

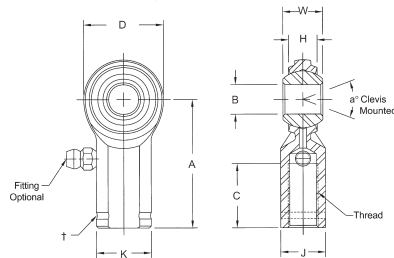
<sup>1</sup>Threads 1-14 UNS.

<sup>2</sup>Threads 2-12 UN-3A.



# ROD ENDS - INTERNALLY THREADED

PART Number	B"	W"	H"	A"	D"	K"	J"	Ball"	C"	Thread	a°	Ultimate Radial Static Load Capacity Lbs.	Approx. Brg. Wt. Lbs.
	+0.0025 -0.0005	+0.005 -0.005	Ref.	+0.015 -0.015	Ref.	+0.010 +0.010	Dia. Ref.	+0.062 -0.031	UNF-2B	Misalign. Angle			
XAA 271	.2500	.375	.250	1.312	.750	.469	.375	.500	.687	1/4-28	27	3,208	.05
XAA 272	.3750	.500	.359	1.625	1.000	.687	.562	.719	.812	3/8-24	22	5,087	.13
XAA 273	.5000	.625	.453	2.125	1.312	.875	.750	.937	1.062	1/2-20	20	9,096	.29
XAA 274	.7500	.875	.593	2.875	1.750	1.125	1.000	1.312	1.562	3/4-16	24	14,207	.65



# LOAD BUTTONS

PART NUMBER	A" Thread	B"	C"	D"	E"	F"
XAA 241	1/4-28 UNF	.20	.50	.60	2.00	.50
XAA 242	3/8-24 UNF	.30	.60	.75	2.00	.63
XAA 243	1/2-20 UNF	.30	.70	.75	4.00	.63
XAA 244	3/4-16 UNF	.30	.90	1.5	6.00	1.25
XAA 245	1-14 UNS	.30	1.10	1.50	9.00	1.25
XAA 246	1-1/4-12 UNF	.88	1.88	2.00	9.00	1.75
XAA 247	1-1/2-12 UNF	1.00	2.25	2.50	14.00	2.25

